



Pony Testing International Group

报告编号(Report ID): I04013022021D~1

锂电池跌落测试报告

Lithium Battery Drop Test Report

Sample Description
& Model

Cylindrical Lithium-ion Battery F[®]18650 2600

Applicant

First New Energy Co., Ltd

Manufacturer

First New Energy Co., Ltd

P O N Y 谱尼测试
Pony Testing International Group
www.ponytest.com

No.: I04013022021D
Code: fo0u966x5



Pony Testing International Group

I. SAMPLE DESCRIPTION

Sample Description	Cylindrical Lithium-ion Battery	Sample Model	F®18650 2600
Applicant	First New Energy Co., Ltd		
Manufacturer	First New Energy Co., Ltd		
Nominal Voltage	3.6V	Rated Capacity	2600mAh
Outer package	Paper Box	Inner package	Paper Box
Dimensions	115×74×67mm	Cushion	---
Gross weight	0.5kg	Battery number	8Pcs/packing
Client date	2014-03-20	Finished date	2014-04-10
Packaging type	Package including lithium batteries.		

II. REFERENCE METHOD

《Recommendations On The Transport Of Dangerous Goods-Model Regulations》
(ST/SG/AC.10/1/Rev.18th)

III. TEST ITEM

1.2m Drop test
Gross Weight Measure

IV. CONCLUSION

This package is capable of withstanding a 1.2m drop test in any orientation without damage to cells or batteries contained therein, without shifting of the contents so as to allow battery to battery contact and without release of contents. The weight of the package is 0.5kg gross mass.

Prepared by: *Linchaitin* Checked by: *chengpeng* Approved by: *liyong*

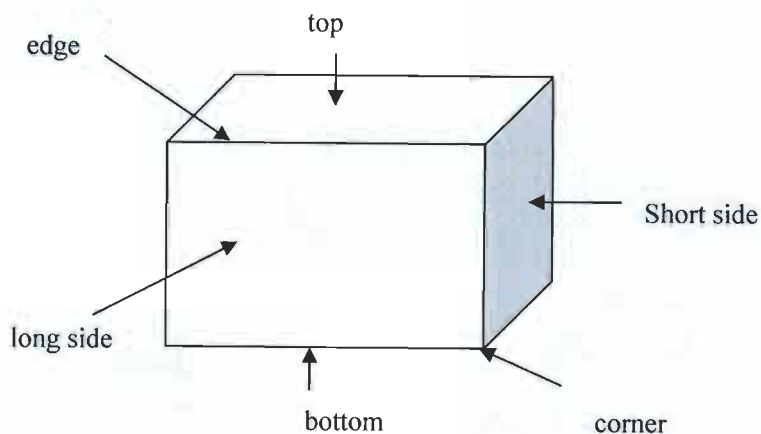
Issue Date: April 10, 2014



Pony Testing International Group

V. TEST METHOD

《Recommendations On The Transport Of Dangerous Goods-Model Regulations》(18th) Special Provision 188 of Chapter 3.3.



VI. TEST APPARATUS

IE-0279 Drop test system

IE-0178 BALANCE

VII. TEST ENVIRONMENT CONDITION

Ambient temperature: 20~25 (°C)

Ambient humidity: 50~60 (%)

VIII. TEST DATA

1.2m Drop test	Side	Edge	Angle
Test Result	a. Without damage to cells or batteries contained therein; b. Without shifting of the contents so as to allow battery to battery (or cell to cell) contact; c. Without release of contents.		
Conclusion	The test package is capable of withstanding a 1.2m drop test in any orientation.		



Pony Testing International Group

Test Item	Gross Weight Measure
Test Result	0.5kg
Conclusion	Passed

IX. SAMPLE PHOTO



Authenticate the photo on original report only

*** End of report ***